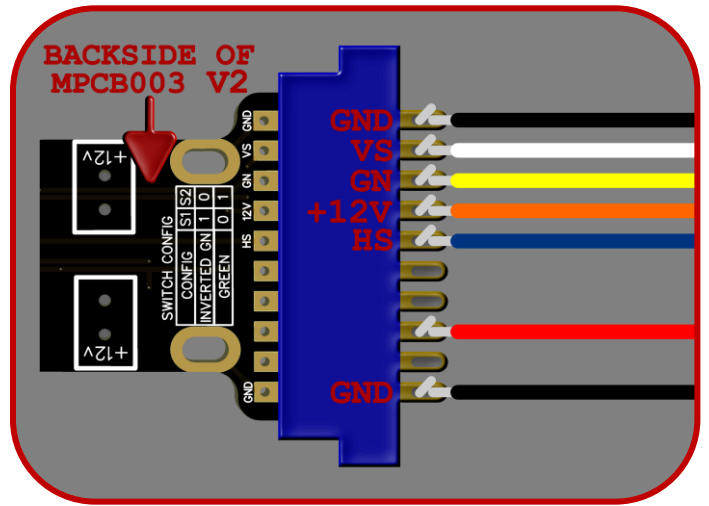
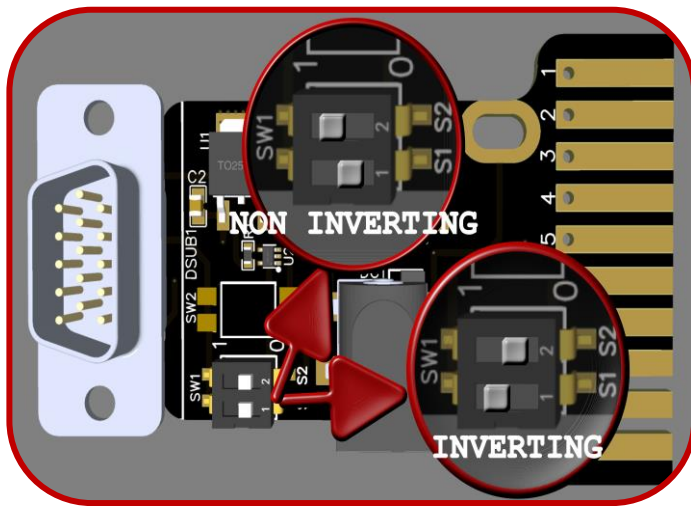


QIG-MPCB003 V2 - QUICK INSTALL GUIDE

Step 1 – Make sure your DIP switches and video connector are correct. * If both switches are set to “0”, then there will be no video. Do not use with both switches set to “1” *

NON-INVERTING – S2-1 S1-0
INVERTING – S2-0 S1-1

Typical wire and connector orientation make note that there is a wire on the +12V.



Step 2 – Plug the MPCB003 into the VGA connector and attach the 2 screws.

Setup with 12v on Pin 7 of your video connector

Setup with NO 12v on Pin 7 of your video connector

