

# Monitech CRT-to-LCD Upgrade Installation Guide

For Qualified Service Personnel

## SAFETY NOTICE:

- CRT monitors contain high voltage components that may retain electrical charge even after power removal.
- Installation must be performed by qualified personnel only.
- Disconnect machine power at the main disconnect before servicing.
- Discharge the CRT using approved high-voltage tools.
- Wear appropriate PPE.

Monitech Industrial

[www.monitech.com](http://www.monitech.com) | 1-877-260-3426

[support@monitech.com](mailto:support@monitech.com)

**MONITECH**  
PRACTICAL SOLUTIONS FOR INDUSTRIAL DISPLAYS

## Section 1 — Removing the CRT Monitor

### 1. Disconnect All Cables

- Unplug the **power**, **video**, and **communication** cables from the machine.

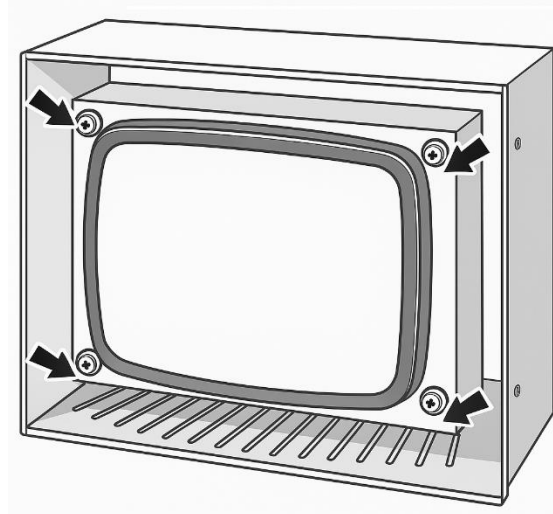
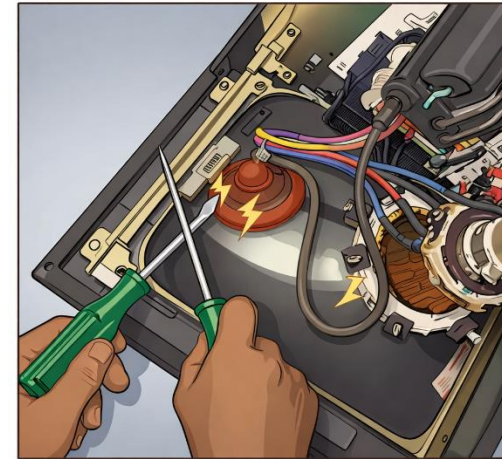
### 2. Open the CRT Cage

- Remove the screws or fasteners securing the CRT cage cover.
- Open the cover to access the CRT and internal connectors.



### 3. Disconnect Video Cable and Discharge CRT

- Unplug the **video cable** connected to the CRT.
- Discharge the CRT by **shorting the anode to the chassis** using appropriate tools.



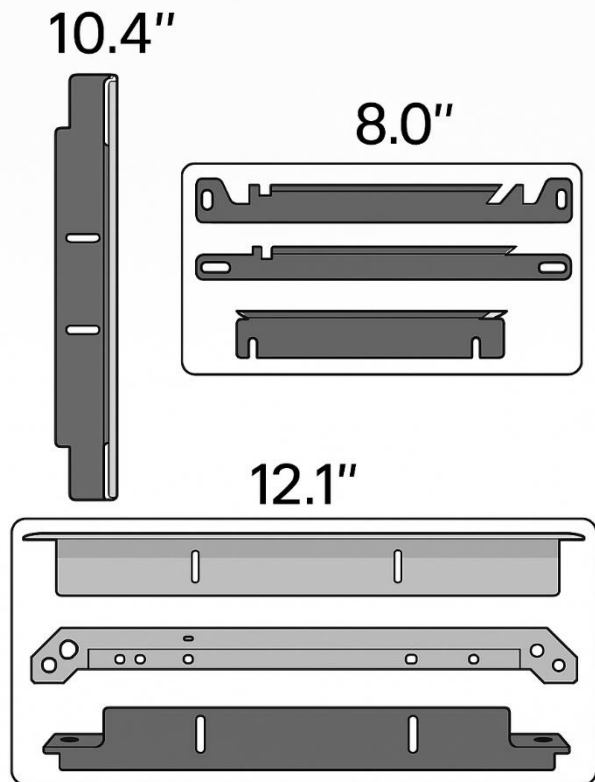
### 4. Remove the CRT

- Remove the **four bolts** securing the CRT to the cage.
- Carefully pull the CRT out of the enclosure.

## Section 2 — Installing the Monitech LCD Monitor

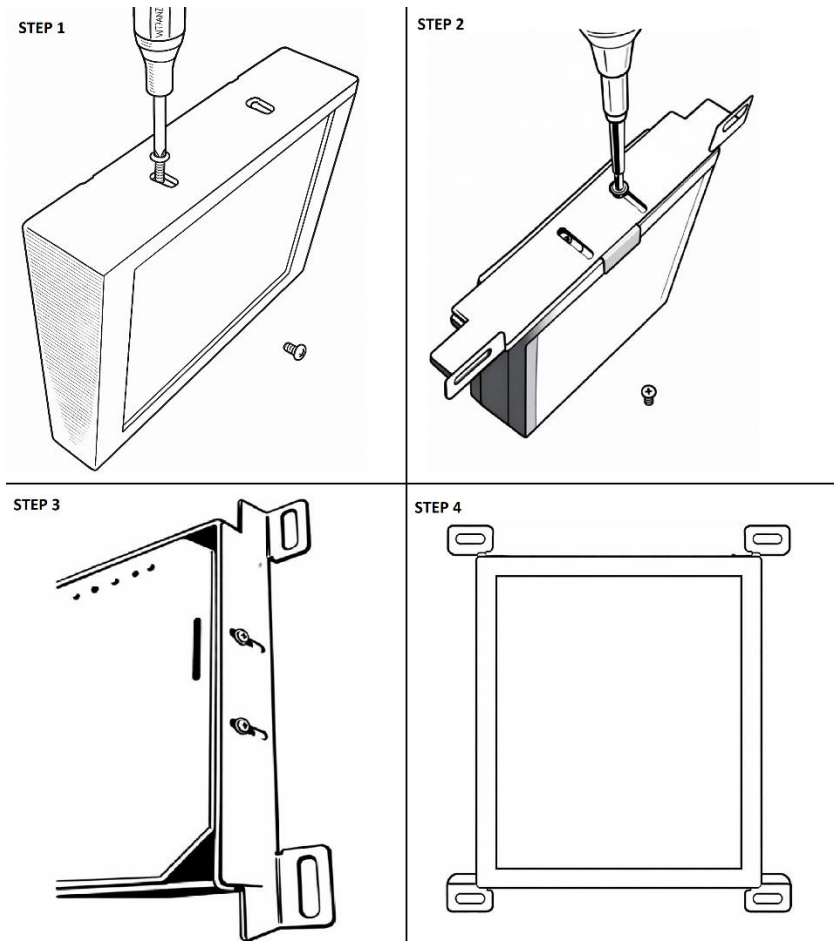
### 1. Prepare the Monitor Assembly

- Remove the Monitech monitor from the box.
- Identify the **brackets** supplied in the kit.



### 2. Attach the Brackets to the Monitor

- Remove the bolts holding the **front and back** sections of the monitor frame.
- Align the supplied **brackets** to the same bolt holes.
- Reinstall the bolts to secure the brackets to the monitor.
- Repeat the steps on other side



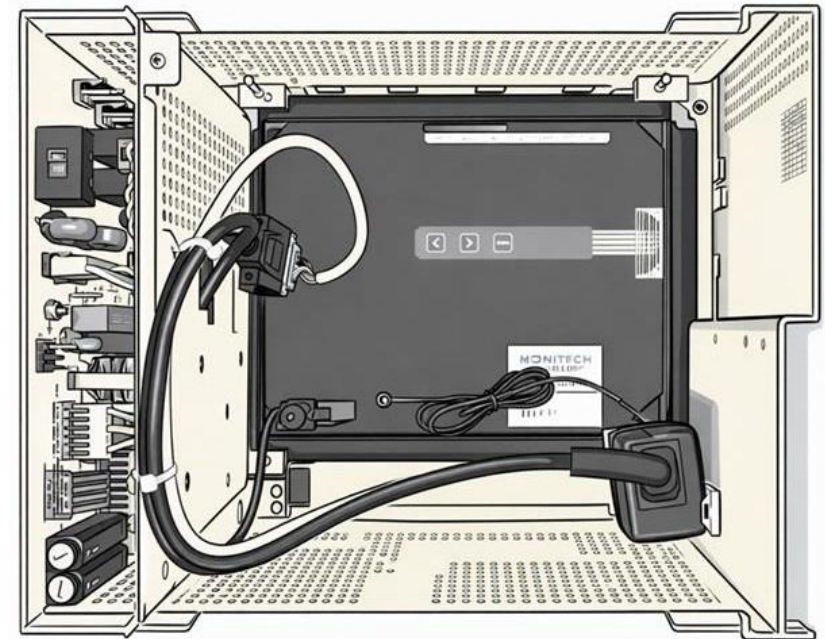
### 3. Install the Monitor into the Cage

- Place the monitor assembly into the CRT cage.
- Use the **same fasteners** that originally held the CRT or use Monitech-supplied fasteners.
- Ensure the monitor is mounted securely.



### 4. Connect Required Cables

- Connect the **supplied video cable** between the machine and the monitor.
- Connect the **supplied power cable** as well.



### 5. Final Inspection

- Monitor securely mounted.
- All cables are connected.
- No wires are pinched.
- Image verified after power up.